

Procedure for connecting a heavy duty gun to a hose

Safety information

Please reference IM-P157-03 for all relevant safety information regarding installation and maintenance procedures.

The swivel coupling is connected to the hose as a complete item. It must be separated into two pieces so that the gun retaining nut can be correctly torqued into the gun.

Fig. 1 Unscrew the retaining nut from the hose tail using $1\frac{5}{16}$ " A/F and $\frac{7}{8}$ " A/F spanners. Apply PTFE or thread sealant to the male thread of the retaining nut.

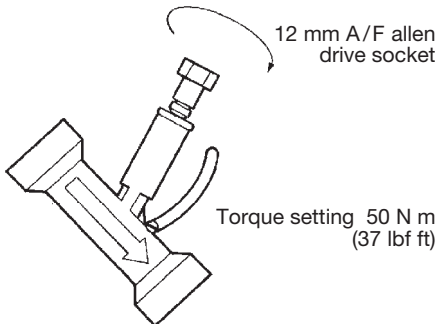
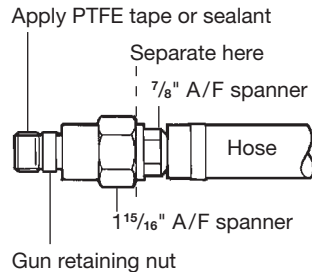


Fig. 2 Insert a 12 mm A/F hexagonal allen socket into the gun handle to a torque of 50 N m (37 lbf ft).

Fig. 3 Connect the gun to the hose by reassembling the two halves. Tighten to a torque setting of 50 N m (37 lbf ft).

