

Refurbishment of Products Fitting Instructions

These fitting instructions cover the refurbishment of a number of Spirax Sarco products. The available spares identified are common to these products.

1. Preparation

Pressure: Before attempting to carry out any maintenance, consideration should be given to what is or has been in the pipeline. Ensure that the product is fully isolated and safely depressurised to atmosphere. This is easily achieved by fitting Spirax Sarco depressurisation valves type DV (see separate literature for details). Do not assume that the system is depressurised even when a pressure gauge indicates zero.

Temperature: Allow time for temperature to normalise after isolation to avoid the danger of burns and consider whether protective clothing (including safety glasses) is required.

2. Dismantling

- Remove cover (1) from body (9) by unscrewing the M12 cover nuts from studs (11), using a 19 mm spanner.
- Unscrew valve seat (5) using a 27 mm A/F spanner and remove complete element assembly (2, 3, 5) with strainer screen and valve seat gasket (6).
- Remove cover gasket (10) and strainer screen (4).

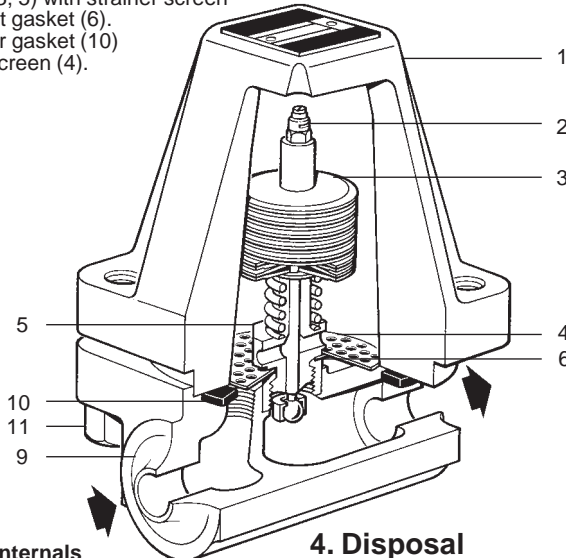
3. Reassembling

Note : Ensure the complete element assembly is renewed and all joint faces are clean. Always reassemble using new gaskets.

- Fit new strainer screen (4).
- Lightly coat new valve seat gasket (6) with a suitable jointing compound and coat valve seat (5) thread with a non-run silicon sealant.
- Fit complete element assembly with gasket and tighten valve seat (5) to the recommended torque of 120/132 N m.
- Replace cover (1) and cover gasket (10), ensuring the strainer screen (4) is correctly located. Fit cover nuts and washers onto studs (11) and gradually tighten to the recommended torque of 110/120 N m.

Important

After the trap has been in service at normal operating pressure and temperature for 24 hours, it is essential that the cover nuts be retightened. This will ensure the correct compression of the gasket under service conditions.



View showing internals

4. Disposal

This product is recyclable. No ecological hazard is anticipated with the disposal of this product provided due care is taken.



Available spares

Description	Item
Element set	2, 3, 5
Strainer screen (packet of 3)	4
Set of gaskets (packet of 3 off each - cover and valve seat gaskets)	10, 6

How to order

Always order spares by using the description given in the column headed Available Spare and stating the size, the product type and nomenclature.

Recommended tightening torques

Item	Quantity		or		N m
5	1	M20		27 mm	120 - 132
11	4	M12		19 mm	110 - 120

